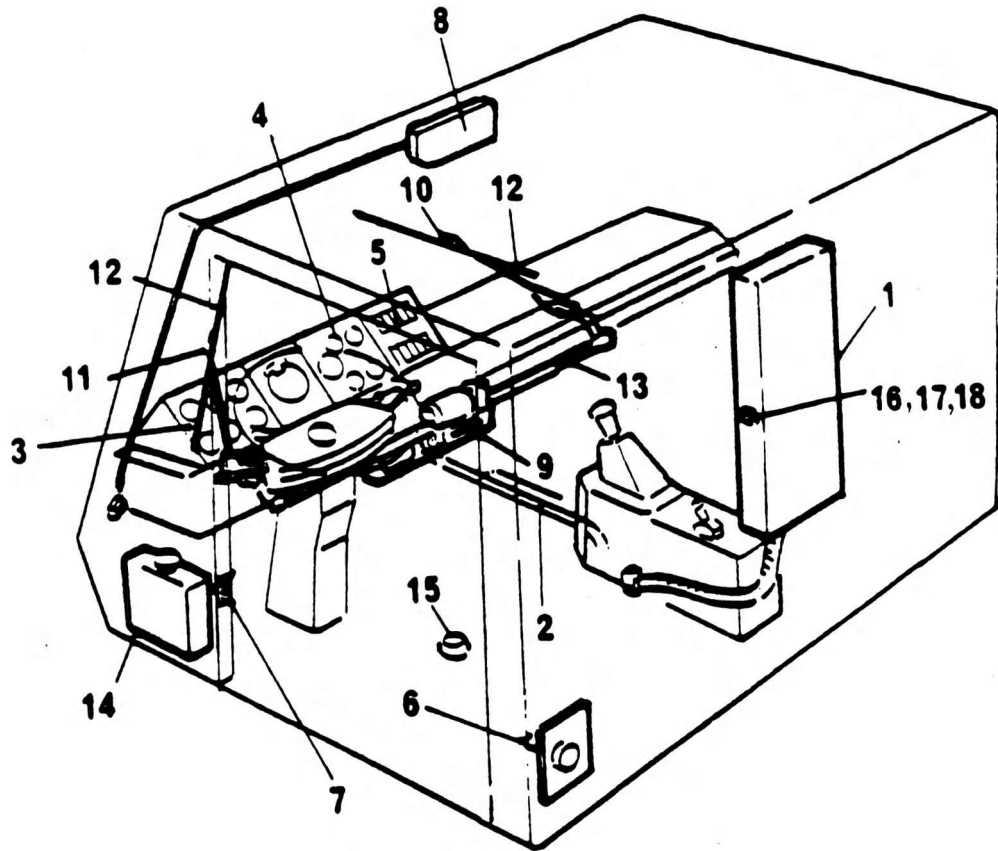


ELECTRICAL ASSEMBLY CARRIER CAB



NO	PART NO.	QTY	DESCRIPTION	NO	PART NO.	QTY	DESCRIPTION
1 +	6-978-990524	1	Elect Assy Relay Panel Carrier	10	8790389	1	Arm Wiper RH Crank
2 +	6-512-990234	1	Harness Assy Carrier Dashpanel	11	8790390	1	Arm Wiper LH Crank
3 +	6-978-990693	1	Elect. Assembly Dashpanel LH	12	8790391	2	Blade Wiper
4 +	6-978-990694	1	Elect Assembly Dashpanel RH	13	7-033-990070	1	Linkage Kit Wiper Motor
5 +	6-978-990697	1	Elect Assembly Dashpanel Switches	14+	8737451	1	Washer Assembly Windscreen
6 +	6-978-990716	1	Elect Assembly Rear Steer Panel	15	8788002	1	Push Button Switch
7	7-872-990002	1	Door Switch	16	7-872-990076	1	Battery Switch
8 +	8738014	1	Light Cab 24v 21w	17	7-376-991055	1	Nameplate Battery Master Switch
9	8790388	1	Motor Wiper 24v with Linkage	18	501741	1	Rivet

+ See further breakdown in this group

6-978-990715
Issue No.01